



# ATX™ FELED Series Nonmetallic LED Luminaires

Standard and Emergency Battery Back-Up, Increased Safety

ATEX/IECEX:  
Zone 1 and 2 - 21 and 22  
II 2 GD  
IP66 - IK10

LED/AREA: NEC/CEC EXPLOSIONPROOF/ATEX/IECEX FLAMEPROOF/INCREASED SAFETY

## Applications

- For use in locations where:
  - Hazardous areas are designated as Zone 1 and 2 – 21 and 22
  - A high degree of corrosion resistance is required
  - Protection against dirt, water and moisture is necessary
- Typical applications include:
  - Oil refineries
  - Petrochemical facilities
  - Food processing plants
  - Waste and water treatment plants
  - Underground tunnels
  - General manufacturing facilities

## Features

- Available in 5000K or 4000K Color Temperatures.
- Meets photobiological requirement for Risk Group 0 (RG0).
- Easy to retrofit in same mounting footprint as Appleton's FE series nonmetallic fluorescent luminaires.
- Full range of lumen outputs, with light distribution equivalent to Appleton's FE series fluorescent luminaires.
- Corrosion-resistant fiberglass reinforced polyester body and hinged polycarbonate lens.
- High impact resistance housing (20 Joules – IK10) from -30 °C to +55 °C (-22 °F to +131 °F) ambient temperature and wind profile for use in extreme offshore and onshore environments.
- 60,000+ hour LED life for years of maintenance free operation.
- Lightweight design, hinged cover with captive screws, and terminal block wiring for easy installation and maintenance.
- Contemporary, low profile design suitable for tight spaces.
- Standard screw-type terminal block can accept 4mm<sup>2</sup>/6mm<sup>2</sup> (flexible/rigid) wire.
- Field replaceable LED driver.
- Industry-leading thermal management for safe, reliable operation over wide temperature range.
- Universal, high efficiency, drivers cover voltage requirements for 120-277 Vac, 170-300 Vdc, 50/60 Hz +/- 10%.
- High power factor electronic driver (>0.95).
- Standard 6KV surge suppression.
- M20 plug or M25 plug provided.
- Latch assembly and elastomer gasket seals against water and dust ingress, IP66.
- Easily accessed for maintenance using Allen key or straight blade screwdriver.
- Central opening with unique patented release system to prevent damage.
- Can be horizontally or vertically mounted.
- Available in 3 hour emergency version, including built-in monthly self-test. Test results through multi-colored LED.
- Positive safety switch disconnects power to LED's and driver to allow maintenance in hazardous locations (emergency version).
- Ex e battery with plug-in connector.

## Options

- 3 Hours Emergency/Battery Back-Up available ①;
  - Add suffix **-E** to the end of the catalog number.
  - Example: *FELED5CBUSADE*



## Standard Materials

- Housing: fiberglass reinforced polyester
- Lens: polycarbonate
- Diffuser: polycarbonate
- Gasket: elastomer
- Internal reflector: highly reflective white polycarbonate (standard versions) or powder coated aluminum (emergency versions)
- Mounting accessories available in different materials such as gray painted aluminum, zinc plated steel, galvanized steel or 316 stainless steel

## ATEX/IECEX Certifications and Compliances

- **Certification Type: FELED30**
  - Gas: Zones 1 and 2
    - Conforming to ATEX 2014/34/EU: II 2 G
    - Type of Protection: Ex eb mb IIC Gb
    - Temperature Class: T4
  - Dust: Zones 21 and 22
    - Conforming to ATEX 2014/34/EU: II 2 D
    - Type of Protection: Ex tb IIIC Db
    - Surface Temperature: +60 °C to +75 °C (+140 °F to +167 °F)
  - Ambient Temperature: -30 °C up to +55 °C (-22 °F up to +131 °F)
  - ATEX Certificate: INERIS 18 ATEX 0042X
  - IECEx Certificate: IECEx INE 18.0039X
- **Certification Type: FELED30 (emergency)**
  - Gas: Zones 1 and 2
    - Conforming to ATEX 2014/34/EU: II 2 G
    - Type of Protection: Ex db eb mb IIC Gb
    - Temperature Class: T4
  - Dust: Zones 21 and 22
    - Conforming to ATEX 2014/34/EU: II 2 D
    - Type of Protection: Ex tb IIIC Db
    - Surface Temperature: +60 °C to +70 °C (+140 °F to +158 °F)
  - Ambient Temperature: -20 °C up to +50 °C (-4 °F up to 122 °F)
  - ATEX Certificate: INERIS 18 ATEX 0042X
  - IECEx Certificate: IECEx INE 18.0039X
- **Standard and Emergency:**
  - Index of Protection according EN/IEC 60529: IP66
  - Impact Resistance (shock): IK10
  - Photobiological Safety, IEC 62778 and IEC 62471: RG0 at 0.25m mounting height

① Available for 3K and 5K lumen models only.

# ATX™ FELED Series Nonmetallic LED Luminaires

## Standard and Emergency Battery Back-Up, Increased Safety

ATEX/IECEX:  
 Zone 1 and 2 - 21 and 22  
 Ⓢ II 2 GD  
 IP66 – IK10

Order using catalog numbering guide below or select catalog number from tables on following pages.

FELED	LED Position	3	C	BU	S	A	D
Series: FELED - Zone 1, 2, 21, 22 ATEX/IECEX Certified	LED Position ①: Blank - Direct (with diffuser) I - Indirect (without diffuser)	Lumen Output ②: 3 - 3K 4 - 4K 5 - 5K 7 - 7K	Color Temperature: C - 5000K (Cool) N - 4000K (Neutral)	Voltage: BU - 120-277Vac, 170-300Vdc, 50/60 Hz	Mounting Version ③: S - Surface/Suspension Mount Standard Wiring (single phase) L - Surface/Suspension Mount Dual Loop In/Out Through Wiring (single phase)	Cable Entry: A - Armored M20 ④ N - Unarmored M25 ⑤	Options: D - Diffused ⑥ E - 3H Emergency (combined) ⑦ F - Cutoff Switch ⑧

① Indirect position only available for Standard product, non-Emergency.

② All values displayed reflect typical values.

③ Standard and Loop In/Out cable entries provide 3 entries; 1 at one and 2 at the other end of the housing.

④ Must order armored cable glands separately. M20 entries are with brass earth continuity plate for armored cable.

⑤ Cable glands provided in luminaires with unarmored hub entries.

⑥ Diffuser required for direct, not included with indirect.

⑦ Available for 3K and 5K lumen models only.

⑧ Cutoff Switch included with Emergency option.

LED/AREA: NEC/CEC EXPLOSIONPROOF/ATEX/IECEX FLAMEPROOF/INCREASED SAFETY

APPLETON™



# ATX™ FELED Series Nonmetallic LED Luminaires

## Standard and Emergency Battery Back-Up, Increased Safety

ATEX/IECEX:  
 Zone 1 and 2 - 21 and 22  
 II 2 GD  
 IP66 - IK10

LED/AREA: NEC/CEC EXPLOSIONPROOF/ATEX/IECEX FLAMEPROOF/INCREASED SAFETY

APPLETON™

Lumen Comparison Chart

Catalog Number	Line Current Amps	Input Power	Power Factor	Lumen Output (Lumens)	Efficacy (lm/w)	Correlated Color Temperature (CCT)	Color Rendering Index (CRI)	Length	Weight		
FELED3CBUxxD	0.140A at 230Vac	31	> 0.96	3,050	99	5000K	70+	0.785 m (2.58 ft)	4.5 kg (9.9 lbs)		
FELED3CBUxx				1,890	61						
FELED3NBUxxD				2,500	81	4000K	80+				
FELED3NBUxx	1,600	52									
FELED4CBUxxD	0.195A at 230Vac	44	> 0.96	4,200	95	5000K	70+			1.39 m (4.56 ft)	8.5 kg (18.74 lbs)
FELED4CBUxx				2,600	59						
FELED4NBUxxD				3,450	78	4000K	80+				
FELED4NBUxx	2,110	48									
FELED5CBUxxD	0.224A at 230Vac	50	>0.98	5,300	106	5000K	70+	1.39 m (4.56 ft)	10.5 kg (23 lbs)		
FELED5CBUxx				3,300	66						
FELED5NBUxxD				4,400	88	4000K	80+				
FELED5NBUxx	2,600	52									
FELED7CBUxxD	0.333A at 230Vac	75	>0.97	7,200	96	5000K	70+			1.39 m (4.56 ft)	10.5 kg (23 lbs)
FELED7CBUxx				4,200	56						
FELED7NBUxxD				5,900	78	4000K	80+				
FELED7NBUxx	3,460	46									
<b>Emergency Models</b>											
FELED3CBUxxDE	0.172A at 230Vac	36	>0.9	3,050   650	85	5000K	70+	0.785 m (2.58 ft)	6 kg (13 lbs)		
FELED3NBUxxDE				2,500   550	70	4000K	80+				
FELED5CBUxxDE	0.270A at 230Vac	56	>0.9	5,300   650	94	5000K	70+	1.39 m (4.56 ft)	10 kg (22 lbs)		
FELED5NBUxxDE				4,400   550	78	4000K	80+				

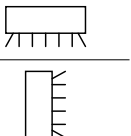
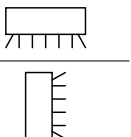
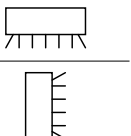
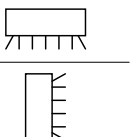
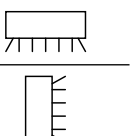
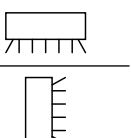
# ATX™ FELED Series Nonmetallic LED Luminaires

## Standard and Emergency Battery Back-Up, Increased Safety

ATEX/IECEX:  
Zone 1 and 2 - 21 and 22  
II 2 GD  
IP66-IP10

LED/AREA: NEC/CEC EXPLOSIONPROOF/ATEX/IECEX FLAMEPROOF/INCREASED SAFETY

**APPLETON™**

Technical Data		Gas			Dust		
		T Rating			Surface T°		
		Ta = +40°C (+104°F)	Ta = +50°C (+122°F)	Ta = +55°C (+131°F)	Ta = +40°C (+104°F)	Ta = +50°C (+122°F)	Ta = +55°C (+131°F)
Model Type	Position Horizontal / Vertical						
FELED3 Direct/ Indirect		T4	T4	T4	60°C (140°F)	70°C (158°F)	75°C (167°F)
FELED4 Direct/ Indirect		T4	T4	T4	60°C (140°F)	70°C (158°F)	75°C (167°F)
FELED5 Direct/ Indirect		T4	T4	T4	60°C (140°F)	70°C (158°F)	75°C (167°F)
FELED7 Direct/ Indirect		T4	T4	T4	60°C (140°F)	70°C (158°F)	75°C (167°F)
Emergency Models							
FELED3 Emergency Model		T4	T4	—	60°C (140°F)	70°C (158°F)	—
FELED5 Emergency Model		T4	T4	—	60°C (140°F)	70°C (158°F)	—

“T” Numbers Represent the Maximum Temperature

“T” #	T1	T2	T3	T4	T5	T6
Temp. Range °C (°F)	301-450 (547-842)	201-300 (394-572)	136-200 (277-392)	101-135 (214-275)	86-100 (187-212)	85 (185)



# ATX™ FELED Series Nonmetallic LED Luminaires

## Standard and Emergency Battery Back-Up, Increased Safety

LED/AREA: NEC/CEC EXPLOSIONPROOF/ATEX/IECEX FLAMEPROOF/INCREASED SAFETY

ATEX/IECEX:  
 Zone 1 and 2 - 21 and 22  
 II 2 GD  
 IP66-1K10

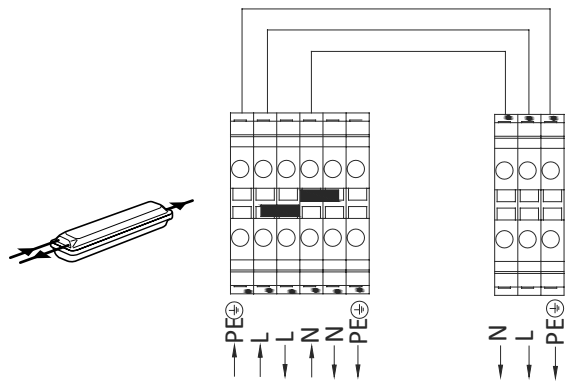
### Wiring Diagrams

#### Standard

##### Version : L

Dual Loop In/Out - Through Wiring (Single Phase)

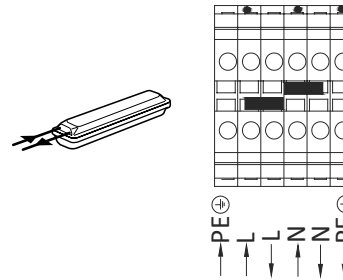
3 entries, 1 at one end and 2 at the other



##### Version : S

Standard (Single Phase)

3 entries, 1 at one end and 2 at the other

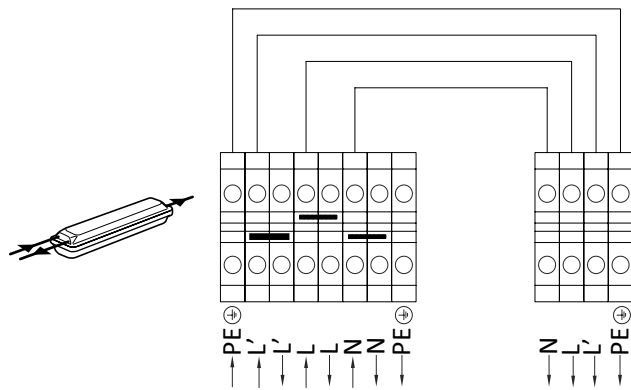


#### Emergency

##### Version : L

Dual Loop In/Out - Through Wiring (Single Phase)

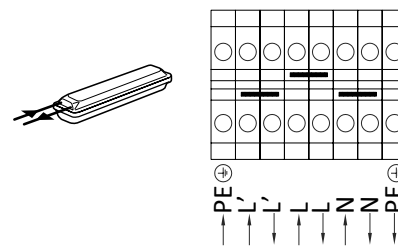
3 entries, 1 at one end and 2 at the other



##### Version : S

Standard (Single Phase)

3 entries, 1 at one end and 2 at the other



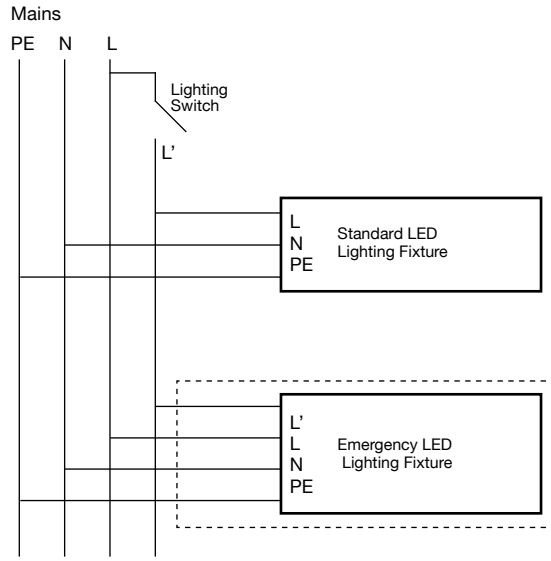
# ATX™ FELED Series Nonmetallic LED Luminaires

## Standard and Emergency Battery Back-Up, Increased Safety

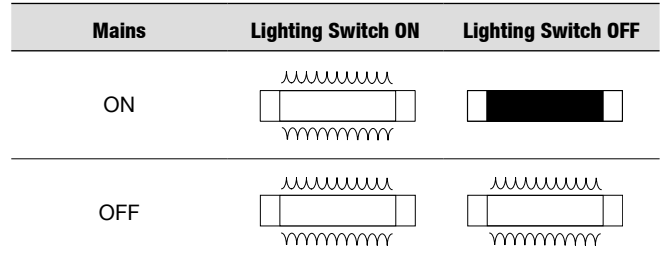
ATEX/IECEX:  
 Zone 1 and 2 - 21 and 22  
 II 2 GD  
 IP66 - IK10

LED/AREA: NEC/CEC EXPLOSIONPROOF/ATEX/IECEX FLAMEPROOF/INCREASED SAFETY

### Wiring Diagram



### Emergency Function Diagram



### LED Indicator Signals

Color	Timing	Function
Green	Blinking: 1 sec ON, 1 sec OFF	Charging OK, Battery not yet fully charged Testing OK, No fault detected
Green	Fast Blinking: 0.25 sec ON, 0.25 sec OFF	Functional/ duration self-test on-going
Green	Steady ON	Battery fully charged Testing OK, No fault detected
Red	Blinking: 1 sec ON, 1 sec OFF	Fault condition: Battery is reversed, not connected, or shorted Functional test failure, full duration test failure
Green and Red	LED Indicators OFF	Main supply OFF, Emergency mode ON

### Emergency Battery Backup Automatic Testing System (ATS)

At the completion of functional & full duration tests, and when AC power is present, LED indicators will display status of the emergency luminaire.

Functional Test	Full Duration Test
Starts within 24-48 hours after the initial power up of the luminaire	Starts within 30 days after the initial power up of the module
Occurs every 14 days after the initial functional test	Occurs once every 365 days after the initial duration test
Lasts for 30 seconds	Lasts for 180 minutes

### Emergency Light Duration

Lumen Level	Battery Capacity	Duration	Light Output
3K (FELED3)	6 Ah – 6V	180 minutes	5000K CCT: 650 lumens
5K (FELED5)			4000K CCT: 550 lumens




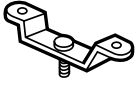


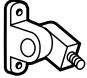
# ATX™ FELED Series Nonmetallic LED Luminaires

## Standard and Emergency Battery Back-Up, Increased Safety

LED/AREA: NEC/CEC EXPLOSIONPROOF/ATEX/IECEX FLAMEPROOF/INCREASED SAFETY

ATEX/IECEX:  
 Zone 1 and 2 - 21 and 22  
 Ⓢ II 2 GD  
 IP66 - IK10

### Accessories and Replacement Parts

	Description	Catalog Number
<b>Fixing Brackets</b>		
	Set of two brackets for surface installation  Zinc plated steel	<b>FEFBZ</b>
<b>Brackets for Surface Mounting</b>		
	Set of two  316 stainless steel	<b>FESBS</b>
<b>M8 Ring Bolts</b>		
	Set of two  Zinc plated steel	<b>FERBM8Z</b>
<b>Half Clamps Brackets for Pole Mounting</b>		
	Set of two	
	Diameter for 1-1/4 to 1-1/2" pole: 42 mm (1.65 in) to 49 mm (1.93 in)	
	Zinc plated steel	<b>FEHC49Z</b>
	316 stainless steel	<b>FEHC49S</b>
	Diameter for 2" pole: 60 mm (2.36 in)	
	Zinc plated steel	<b>FEHC60Z</b>
316 stainless steel	<b>FEHC60S</b>	
<b>Hinged Brackets</b>		
	Set of two brackets for adjusting luminaire	
	Aluminum	<b>FEHBA</b>
	316 stainless steel	<b>FEHBS</b>
<b>Fall Prevention Kit</b>		
	Safety chain retains fixture temporarily to ease installation	
	For M25 cable entry	<b>FESCM25</b>
	For M20 cable entry	<b>FESCM20</b>


# ATX™ FELED Series Nonmetallic LED Luminaires

## Standard and Emergency Battery Back-Up, Increased Safety

ATEX/IECEX:  
 Zone 1 and 2 - 21 and 22  
 II 2 GD  
 IP66 - IK10

LED/AREA: NEC/CEC EXPLOSIONPROOF/ATEX/IECEX FLAMEPROOF/INCREASED SAFETY

### Accessories and Replacement Parts

	Description	Catalog Number
<b>Replacement Drivers and Inverter</b>		
	FELED3 Replacement Driver (1 each)	APMZ050C135UD55
	FELED4 Replacement Driver (1 each)	APMZ050C135UD80
	FELED5 Standard Model Replacement Driver (1 each)	APMZ050C135UD95
	FELED7 Replacement Driver (2 each)	APMZ050C135UD67
	FELED5 Emergency Model Inverter (BMM) (1 each)	BMMLLED
<b>Replacement Lens</b>		
	0.79 m (2.6 ft) clear polycarbonate external lens with gasket	Z00650
	1.39 m (4.6 ft) clear polycarbonate external lens with gasket	Z00651
	0.79 m (2.6 ft) diffused polycarbonate external lens with gasket	Z00966
	1.39 m (4.6 ft) diffused polycarbonate external lens with gasket	Z00965
<b>Battery Pack</b>		
	Battery Pack 6V 6Ah for FELED5 Emergency version	BPLLED

APPLETON™





# ATX™ FELED Series Nonmetallic LED Luminaires

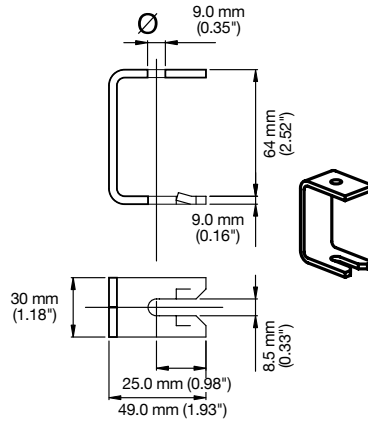
## Standard and Emergency Battery Back-Up, Increased Safety

LED/AREA: NEC/CEC EXPLOSIONPROOF/ATEX/IECEX FLAMEPROOF/INCREASED SAFETY

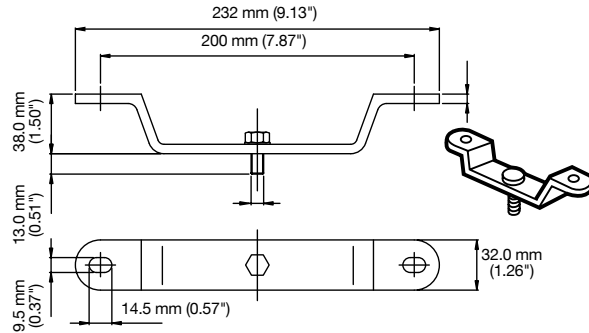
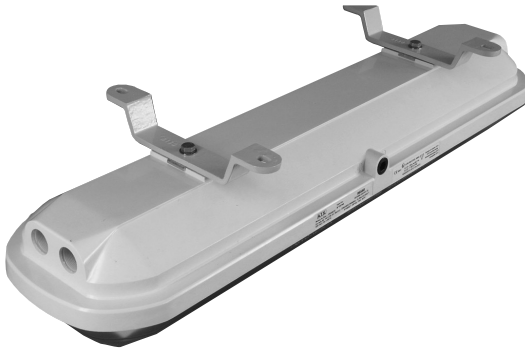
ATEX/IECEX:  
 Zone 1 and 2 - 21 and 22  
 II 2 GD  
 IP66 - IK10

### Mounting Options Dimensions in Millimeters (Inches)

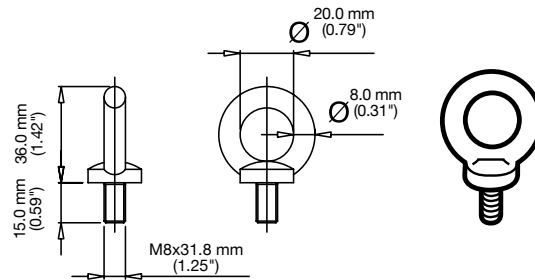
**FEFBZ:** zinc plated steel — Set of two quick fixing brackets for ease of surface mounting



**FESBS:** 316 stainless steel — Set of two brackets for surface mounting



**FERBM8Z:** zinc plated steel — Set of two ring bolts



APPLETON™

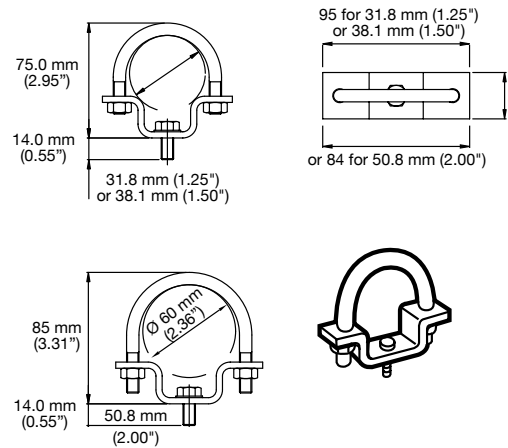
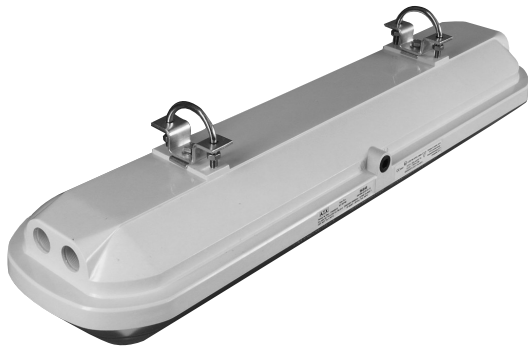
# ATX™ FELED Series Nonmetallic LED Luminaires

## Standard and Emergency Battery Back-Up, Increased Safety

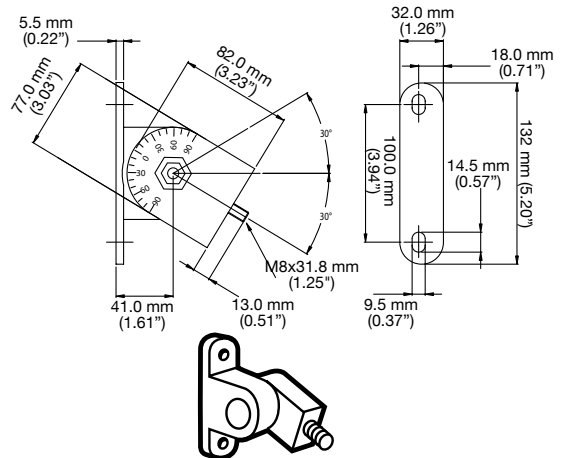
ATEX/IECEX:  
 Zone 1 and 2 - 21 and 22  
 II 2 GD  
 IP66 - IK10

### Mounting Options Dimensions in Millimeters (Inches)

FEHC49Z: zinc plated steel or FEHC49S: 316 stainless steel — Set of two clamps for pole diameter 42 mm to 49 mm (for 1-1/4" to 1-1/2" pole).  
 FEHC60Z: zinc plated steel or FEHC60S: 316 stainless steel — Set of two clamps for pole diameter 60 mm (for 2" pole).



FEHBA: aluminum or FEHBS: 316 stainless steel — Set of two hinged brackets for adjusting luminaire.



LED/AREA: NEC/CEC EXPLOSIONPROOF/ATEX/IECEX FLAMEPROOF/INCREASED SAFETY

APPLETON™



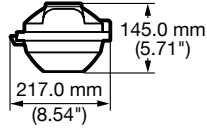
# ATX™ FELED Series Nonmetallic LED Luminaires

## Standard and Emergency Battery Back-Up, Increased Safety

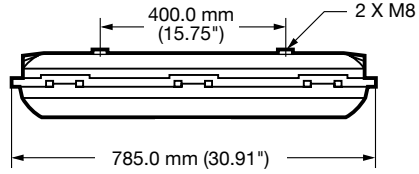
LED/AREA: NEC/CEC EXPLOSIONPROOF/ATEX/IECEx FLAMEPROOF/INCREASED SAFETY

ATEX/IECEx:  
 Zone 1 and 2 - 21 and 22  
 Ⓢ II 2 GD  
 IP66 - IK10

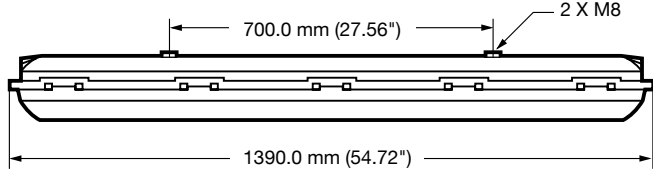
**Luminaire Dimensions in Millimeters (Inches)**



**End View**



**Side View — 0.785 m (2.58 ft)**



**Side View — 1.39 m (4.56 ft) Version**

**APPLETON™**

# ATX™ FELED Series Nonmetallic LED Luminaires

## Standard and Emergency Battery Back-Up, Increased Safety

ATEX/IECEX:  
 Zone 1 and 2 - 21 and 22  
 II 2 GD  
 IP66 - IK10

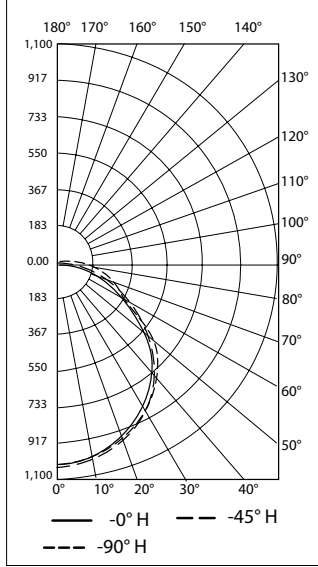
### Photometric Data — DATA SHOWN IS ABSOLUTE

5000K CCT, With Diffuser

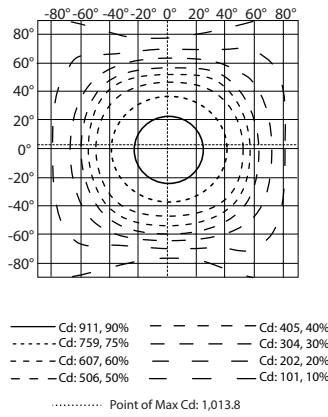
REPORT NUMBER: FELED3CBUxxD

Luminaire Lumens: 3,057

#### POLAR CANDELA DISTRIBUTION



#### ISOCANDELA PLOT



#### ZONAL LUMEN SUMMARY

Zone	Lumens	% Lamp	% Luminaire
0-30	785.8	25.7%	25.7%
0-40	1,285.8	42%	42.1%
0-60	2,256.9	73.8%	73.8%
60-90	650.7	21.3%	21.3%
70-100	385.9	12.6%	12.6%
90-120	133.2	4.4%	4.4%
0-90	2,907.6	95.1%	95.1%
90-180	150.1	4.9%	4.9%
0-180	3,057.7	100%	100%

#### LUMENS PER ZONE

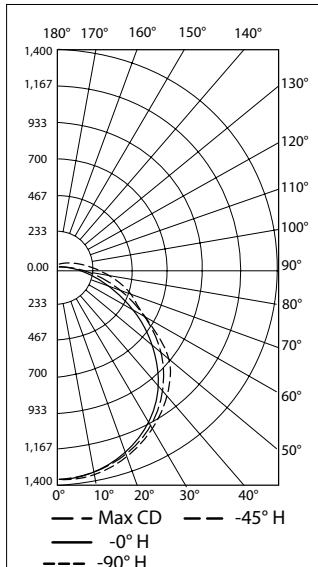
Zone	Lumens	% Total	Zone	Lumens	% Total
0-10	95.8	3.1%	90-100	58.8	1.9%
10-20	274.2	9.0%	100-110	43.6	1.4%
20-30	415.8	13.6%	110-120	30.8	1%
30-40	500.0	16.4%	120-130	11.0	0.4%
40-50	519.2	17.0%	130-140	2.3	0.1%
50-60	451.8	14.8%	140-150	1.4	0%
60-70	323.6	10.6%	150-160	1.1	0%
70-80	209.4	6.8%	160-170	0.8	0%
80-90	117.6	3.8%	170-180	0.3	0%

5000K CCT, With Diffuser

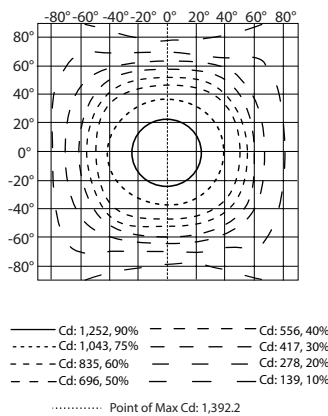
REPORT NUMBER: FELED4CBUxxD

Luminaire Lumens: 4,195

#### POLAR CANDELA DISTRIBUTION



#### ISOCANDELA PLOT



#### ZONAL LUMEN SUMMARY

Zone	Lumens	% Lamp	% Luminaire
0-30	1,078.1	25.7%	25.7%
0-40	1,763.6	42%	42%
0-60	3,095.2	73.8%	73.8%
60-90	894.2	21.3%	21.3%
70-100	530.3	12.6%	12.6%
90-120	182.8	4.4%	4.4%
0-90	3,989.4	95.1%	95.1%
90-180	206.3	4.9%	4.9%
0-180	4,195.7	100%	100%

#### LUMENS PER ZONE

Zone	Lumens	% Total	Zone	Lumens	% Total
0-10	131.5	3.1%	90-100	80.8	1.9%
10-20	376.3	9.0%	100-110	59.7	1.4%
20-30	570.3	13.6%	110-120	42.3	1%
30-40	685.5	16.3%	120-130	15.3	0.4%
40-50	712.1	17.0%	130-140	3.3	0.1%
50-60	619.5	14.8%	140-150	2.0	0%
60-70	444.6	10.6%	150-160	1.5	0%
70-80	288.2	6.9%	160-170	1.1	0%
80-90	161.4	3.8%	170-180	0.4	0%



# ATX™ FELED Series Nonmetallic LED Luminaires

## Standard and Emergency Battery Back-Up, Increased Safety

LED/AREA: NEC/CEC EXPLOSIONPROOF/ATEX/IECEX FLAMEPROOF/INCREASED SAFETY

ATEX/IECEX:  
 Zone 1 and 2 - 21 and 22  
 II 2 GD  
 IP66-1K10

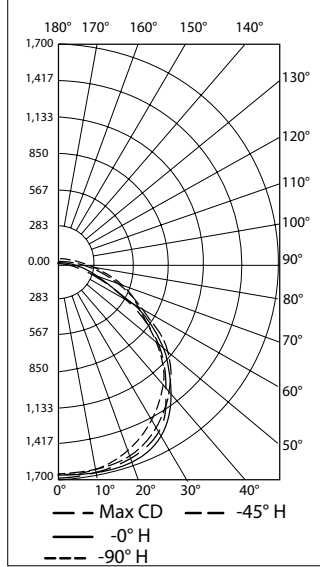
### Photometric Data – DATA SHOWN IS ABSOLUTE

5000K CCT, With Diffuser

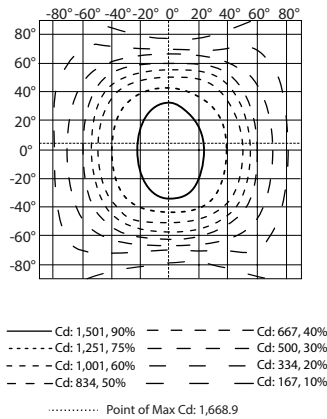
REPORT NUMBER: FELED5CBUxxD

Luminaire Lumens: 5,289

#### POLAR CANDELA DISTRIBUTION



#### ISOCANDELA PLOT



#### ZONAL LUMEN SUMMARY

Zone	Lumens	% Lamp	% Luminaire
0-30	1,326.7	25.1%	25.1%
0-40	2,201.8	41.6%	41.6%
0-60	3,907.1	73.9%	73.9%
60-90	1,149.8	21.7%	21.7%
70-100	671.2	12.7%	12.7%
90-120	209.3	4%	4%
0-90	5,057.0	95.6%	95.6%
90-180	232.5	4.4%	4.4%
0-180	5,289.5	100%	100%

#### LUMENS PER ZONE

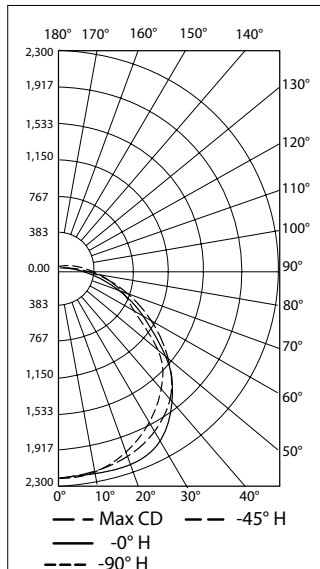
Zone	Lumens	% Total	Zone	Lumens	% Total
0-10	158.0	3.0%	90-100	100.4	1.9%
10-20	458.6	8.7%	100-110	64.4	1.2%
20-30	710.2	13.4%	110-120	44.6	0.8%
30-40	875.0	16.5%	120-130	15.6	0.3%
40-50	913.0	17.3%	130-140	3.0	0.1%
50-60	792.3	15.0%	140-150	1.8	0%
60-70	579.0	10.9%	150-160	1.4	0%
70-80	370.8	7.0%	160-170	1.0	0%
80-90	200.1	3.8%	170-180	0.4	0%

5000K CCT, With Diffuser

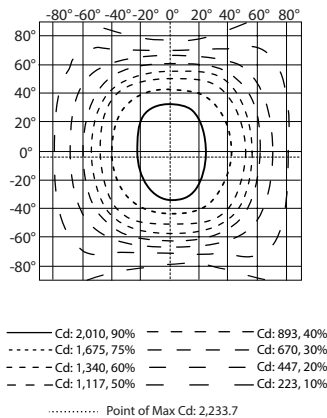
REPORT NUMBER: FELED7CBUxxD

Luminaire Lumens: 7,038

#### POLAR CANDELA DISTRIBUTION



#### ISOCANDELA PLOT



#### ZONAL LUMEN SUMMARY

Zone	Lumens	% Lamp	% Luminaire
0-30	1,784.7	24.9%	24.9%
0-40	2,966.4	41.3%	41.3%
0-60	5,282.4	73.6%	73.6%
60-90	1,560.7	21.7%	21.7%
70-100	911.3	12.7%	12.7%
90-120	304.8	4.2%	4.2%
0-90	6,843.1	95.3%	95.3%
90-180	337.9	4.7%	4.7%
0-180	7,180.9	100%	100%

#### LUMENS PER ZONE

Zone	Lumens	% Total	Zone	Lumens	% Total
0-10	211.9	3.0%	90-100	138.3	1.9%
10-20	615.8	8.6%	100-110	97.5	1.4%
20-30	957.1	13.3%	110-120	69.0	1%
30-40	1,181.6	16.5%	120-130	22.9	0.3%
40-50	1,235.6	17.2%	130-140	3.9	0.1%
50-60	1,080.4	15.0%	140-150	2.5	0%
60-70	787.7	11.0%	150-160	1.9	0%
70-80	499.0	6.9%	160-170	1.4	0%
80-90	274.0	3.8%	170-180	0.5	0%

# ATX™ FELED Series Nonmetallic LED Luminaires

## Standard and Emergency Battery Back-Up, Increased Safety

ATEX/IECEX:  
 Zone 1 and 2 - 21 and 22  
 II 2 GD  
 IP66 - IK10

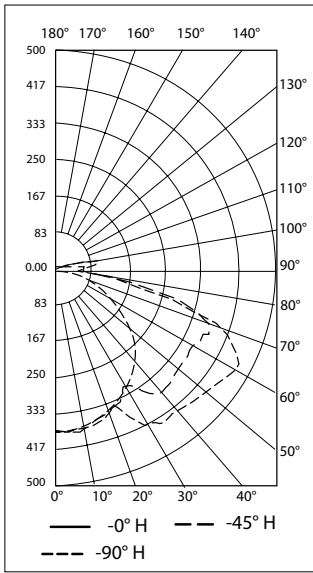
### Photometric Data – DATA SHOWN IS ABSOLUTE

5000K CCT, Without Diffuser

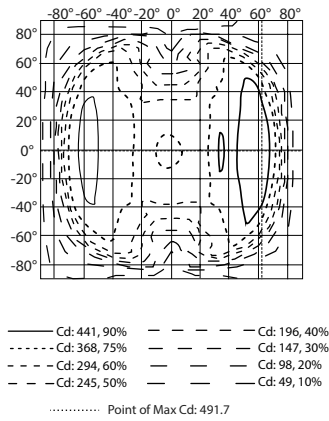
REPORT NUMBER: FELEDI3CBUxxD

Luminaire Lumens: 1,885

#### POLAR CANDELA DISTRIBUTION



#### ISOCANDELA PLOT



#### ZONAL LUMEN SUMMARY

Zone	Lumens	% Lamp	% Luminaire
0-30	298.8	15.8%	15.8%
0-40	524.2	27.8%	27.8%
0-60	1,113.0	59%	59%
60-90	681.6	36.1%	36.1%
70-100	404.4	21.4%	21.4%
90-120	88.3	4.7%	4.7%
0-90	1,794.6	95.2%	95.2%
90-180	91.1	4.8%	4.8%
0-180	1,885.8	100%	100%

#### LUMENS PER ZONE

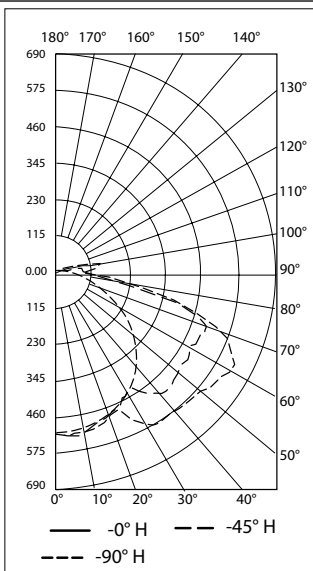
Zone	Lumens	% Total	Zone	Lumens	% Total
0-10	35.5	1.9%	90-100	61.1	3.2%
10-20	102.3	5.4%	100-110	22.7	1.2%
20-30	161.0	8.5%	110-120	4.5	0.2%
30-40	225.4	12.0%	120-130	1.1	0.1%
40-50	274.5	14.6%	130-140	0.6	0%
50-60	314.3	16.7%	140-150	0.5	0%
60-70	338.3	17.9%	150-160	0.3	0%
70-80	256.5	13.6%	160-170	0.2	0%
80-90	86.7	4.6%	170-180	0.1	0%

5000K CCT, Without Diffuser

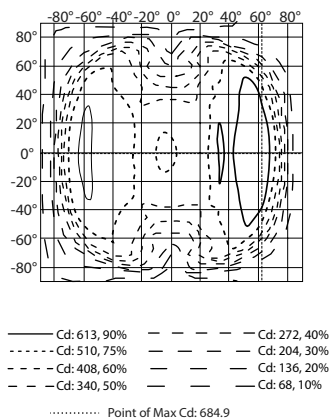
REPORT NUMBER: FELEDI4CBUxxD

Luminaire Lumens: 2,616

#### POLAR CANDELA DISTRIBUTION



#### ISOCANDELA PLOT



#### ZONAL LUMEN SUMMARY

Zone	Lumens	% Lamp	% Luminaire
0-30	415.1	15.9%	15.9%
0-40	728.5	27.8%	27.8%
0-60	1,544.6	59%	59%
60-90	938.5	35.9%	35.9%
70-100	559.9	21.4%	21.4%
90-120	129.0	4.9%	4.9%
0-90	2,483.1	94.9%	94.9%
90-180	133.5	5.1%	5.1%
0-180	2,616.6	100%	100%

#### LUMENS PER ZONE

Zone	Lumens	% Total	Zone	Lumens	% Total
0-10	49.2	1.9%	90-100	86.8	3.3%
10-20	142.1	5.4%	100-110	35.5	1.4%
20-30	223.8	8.6%	110-120	6.8	0.3%
30-40	313.4	12.0%	120-130	1.8	0.1%
40-50	381.1	14.6%	130-140	1.0	0%
50-60	434.9	16.6%	140-150	0.7	0%
60-70	465.4	17.8%	150-160	0.5	0%
70-80	351.9	13.4%	160-170	0.4	0%
80-90	121.2	4.6%	170-180	0.1	0%



# ATX™ FELED Series Nonmetallic LED Luminaires

## Standard and Emergency Battery Back-Up, Increased Safety

LED/AREA: NEC/CEC EXPLOSIONPROOF/ATEX/IECEX FLAMEPROOF/INCREASED SAFETY

ATEX/IECEX:  
 Zone 1 and 2 - 21 and 22  
 II 2 GD  
 IP66-IP10

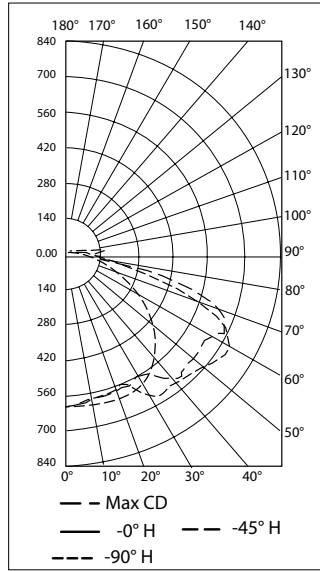
### Photometric Data – DATA SHOWN IS ABSOLUTE

5000K CCT, Without Diffuser

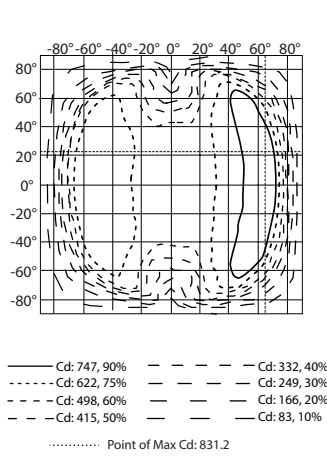
REPORT NUMBER: FELEDI5CBUxxD

Luminaire Lumens: 3,259

#### POLAR CANDELA DISTRIBUTION



#### ISOCANDELA PLOT



#### ZONAL LUMEN SUMMARY

Zone	Lumens	% Lamp	% Luminaire
0-30	492.7	15.1%	15.1%
0-40	871.6	26.7%	26.7%
0-60	1,896.1	58.2%	58.2%
60-90	1,230.2	37.7%	37.7%
70-100	730.9	22.4%	22.4%
90-120	130.1	4%	4%
0-90	3,126.3	95.9%	95.9%
90-180	133.6	4.1%	4.1%
0-180	3,259.9	100%	100%

#### LUMENS PER ZONE

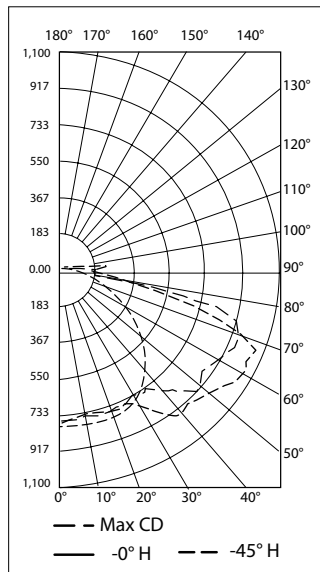
Zone	Lumens	% Total	Zone	Lumens	% Total
0-10	56.9	1.7%	90-100	94.5	2.9%
10-20	166.1	5.1%	100-110	29.9	0.9%
20-30	269.7	8.3%	110-120	5.7	0.2%
30-40	378.9	11.6%	120-130	1.4	0%
40-50	474.7	14.6%	130-140	0.8	0%
50-60	549.7	16.9%	140-150	0.6	0%
60-70	593.9	18.2%	150-160	0.4	0%
70-80	470.7	14.4%	160-170	0.3	0%
80-90	165.7	5.1%	170-180	0.1	0%

5000K CCT, Without Diffuser

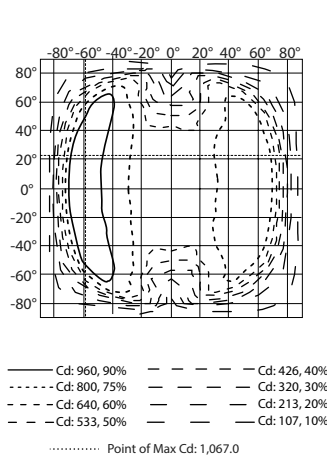
REPORT NUMBER: FELEDI7CBUxxD

Luminaire Lumens: 4,200

#### POLAR CANDELA DISTRIBUTION



#### ISOCANDELA PLOT



#### ZONAL LUMEN SUMMARY

Zone	Lumens	% Lamp	% Luminaire
0-30	621.8	14.8%	14.8%
0-40	1,099.5	26.2%	26.2%
0-60	2,396.9	57.1%	57.1%
60-90	1,619.2	38.6%	38.6%
70-100	979.1	23.3%	23.3%
90-120	179.5	4.3%	4.3%
0-90	4,016.1	95.6%	95.6%
90-180	184.2	4.4%	4.4%
0-180	4,200.3	100%	100%

#### LUMENS PER ZONE

Zone	Lumens	% Total	Zone	Lumens	% Total
0-10	71.9	1.7%	90-100	127.5	3%
10-20	210.0	5.0%	100-110	43.9	1%
20-30	339.8	8.1%	110-120	8.1	0.2%
30-40	477.8	11.4%	120-130	1.9	0%
40-50	599.1	14.3%	130-140	1.0	0%
50-60	698.3	16.6%	140-150	0.8	0%
60-70	767.6	18.3%	150-160	0.6	0%
70-80	633.3	15.1%	160-170	0.4	0%
80-90	218.3	5.2%	170-180	0.1	0%